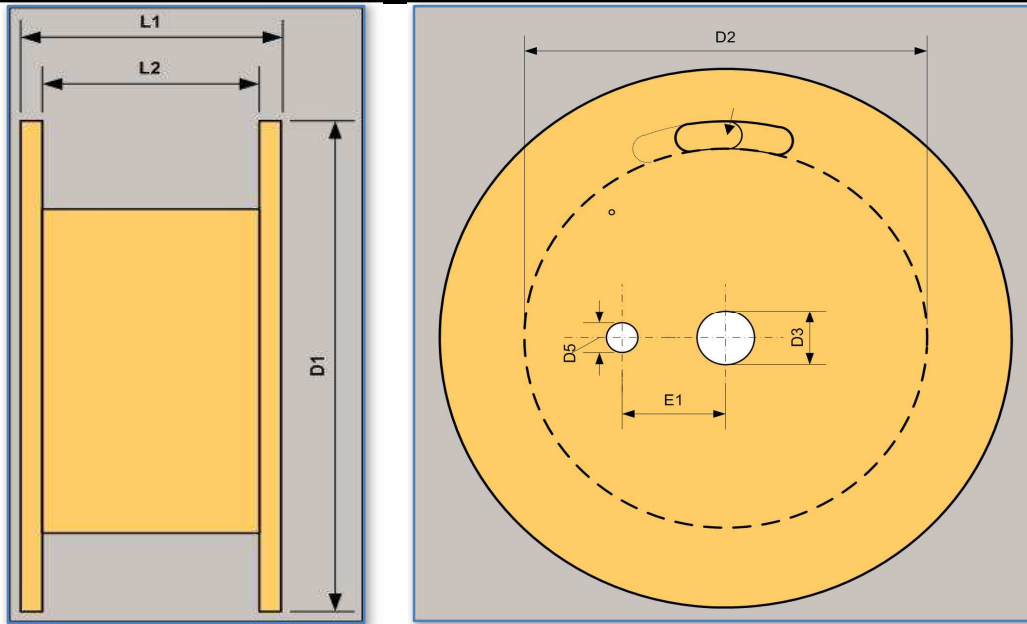


Drum Dimensions



Returnable Drums

Type	D1	D2	D3	L1	L2	Dividers	Approx. Cap. (kg)	Tarra (kg)
HR11	750	400	56	250	180		300	19.5
HR15	355	224	36	200	160		45	1.9
HR16	500	315	36	250	180		100	7.7
HR18	800	400	52	270	200		500	22
HR19	1500	1000	102	480	330		1400	0
HR22	1600	1000	102	640	487		2500	0
HR24	1600	1000	82	1000	800		4500	0
HR29	1900	1000	102	640	500		4500	0
HR30	1200	800	102	360	300		1000	0
HR34	1000	500	82	320	250		650	50
HR36	1000	440	82	290	240		290	0
HR37	1000	500	82	300	230		500	50
HR40	1600	1000	82	640	500		3000	0
HR41	1500	1000	82	320	250		1100	0
HR42	1600	1000	82	460	310		1500	0
HR43	1600	1000	82	600	460		2600	0
HR44	1600	1200	82	1000	800		3500	0
HR45	1600	905	82	1018	850		5500	0
HR46	2000	1000	82	1066	838		7000	0
HR48	1700	1300	82	960	800		5000	0
HR74	1800	1000	82	1000	800		8500	0
HR77	1800	1000	102	640	470		3500	0
HR79	2000	1200	82	350	210		3000	0
HR80	1000	600	82	250	180		600	50
HR82	1800	1000	102	1200	1000		8500	0
HR92	710	400	52	250	180		280	24.5
HR94	1800	1400	82	640	500		2500	0

One Way Drums								
Type	D1	D2	D3	L1	L2	Dividers	Approx. Cap. (kg)	Tarra (kg)
HV01	1200	800	82	400	300		950	0
HV02	1600	900	82	760	600		3800	0
HV03	1600	1000	82	640	500		3400	0
HV04	1800	1000	82	1200	1000		5000	0
HV05	1000	600	82	500	400	1	1000	0
HV06	1600	900	82	760	600	1	4800	0
HV07	1000	600	82	600	450	2	1100	0
HV08	1200	700	82	550	450	2	2000	0
HV10	1000	750	82	410	360	1	500	0
HV11	1200	800	82	550	500		1400	0
HV12	1000	750	82	492	400	1	500	0
HV13	1300	1000	82	512	400	1	1200	0
HV14	1400	1000	82	510	400		1600	0
HV15	1800	1250	82	840	700		5000	0
HV16	1500	1000	82	1020	800	3	3500	0
HV17	1600	1000	82	800	650		3000	0
HV18	1300	900	82	670	500	1	1600	0
HV19	1000	700	82	650	420	2	600	0
HV23	1200	800	82	600	440	3	1100	0
HV26	1600	1000	82	1080	840	6	4500	0
HV27	1400	900	82	1200	960	7	2500	0
HV28	1300	1000	82	584	450	2	1100	0
HV29	1300	1000	82	750	600	3	1700	0
HV30	1600	900	82	1050	850		5500	0
HV31	1300	900	82	870	700	1	1800	0
HV32	1500	1000	82	600	440	3	1500	0
HV34	1500	1000	82	1200	960	5	4000	0
HV35	1400	1000	82	1200	960	5	3200	0
HV36	1300	1000	82	1200	960	5	2000	0
HV37	1600	1200	82	1000	800		2500	0
HV39	1500	900	83	750	600		5000	0
HV40	1400	900	83	650	490		5000	0
HV41	1600	1000	83	850	700		2500	0
HV42	1200	800	83	410	320		1000	0
HV43	1500	900	83	650	500		2500	0
HV44	2000	1300	83	1000	810		0	0
HV45	1600	900	83	1050	830		0	0
HV46	1500	900	83	750	600		0	0
HV47	1200	800	53	350	270		650	0
HV48	1600	1000	83	1080	850		0	0
HV49	1400	900	83	750	580		0	0
HV50	1400	900	83	630	500		0	0
HV51	1400	900	82	720	590		0	0
HV52	1500	900	82	720	590		0	0
HV53	1600	900	82	1060	870		0	0
HV54	1700	900	83	1050	870		0	0
HW00	1800	1400	82	1000	800		3500	0

One Way Drums								
Type	D1	D2	D3	L1	L2	Dividers	Approx. Cap. (kg)	Tarra (kg)
HW01	1000	500	82	240	180		600	0
HW03	1600	900	82	740	600		4800	0
HW04	1600	1000	82	760	640		4400	0
HW05	1800	1400	102	370	230		4000	0
HW06	1400	800	82	740	600		3500	0
HW08	1200	700	82	550	450	2	1800	0
HW10	1040	830	82	780	680	3	900	0
HW12	1200	900	82	740	600		1400	0
HW15	1500	980	82	780	640		4000	0
HW16	1600	1000	82	780	640		3000	0
HW20	1400	1200	82	420	280	1	1200	0
HW21	1800	1400	102	350	210		1600	0
HW24	1200	600	82	590	450		1500	0
HW25	1600	1000	82	980	800		4500	0
HW29	1900	1000	82	640	500		4500	0
HW30	1000	780	82	600	500		1000	0
HW31	850	500	82	240	180		400	19
HW36	1000	750	82	330	240	1	650	35
HW48	730	400	36	290	190		300	0
HW54	1400	1000	82	830	640	3	2400	0
HW57	710	400	52	250	180		250	24
HW68	1200	800	82	400	300		1000	0
HW69	1400	1000	82	390	290		1500	0
HW72	1500	1000	82	640	500		2700	0
HW74	1600	1000	82	640	500		3400	0
HW77	1800	1000	82	640	500		4000	0
HW78	1600	1200	82	640	500		2500	0
HW83	500	312	45	230	194		125	6
HW84	550	312	36	240	204		180	7
HW86	800	700	52	210	180		30	0
HW88	1000	700	82	670	600	3	900	0
HW94	1800	1200	82	840	700		3500	0
HW95	750	500	52	280	180		280	11